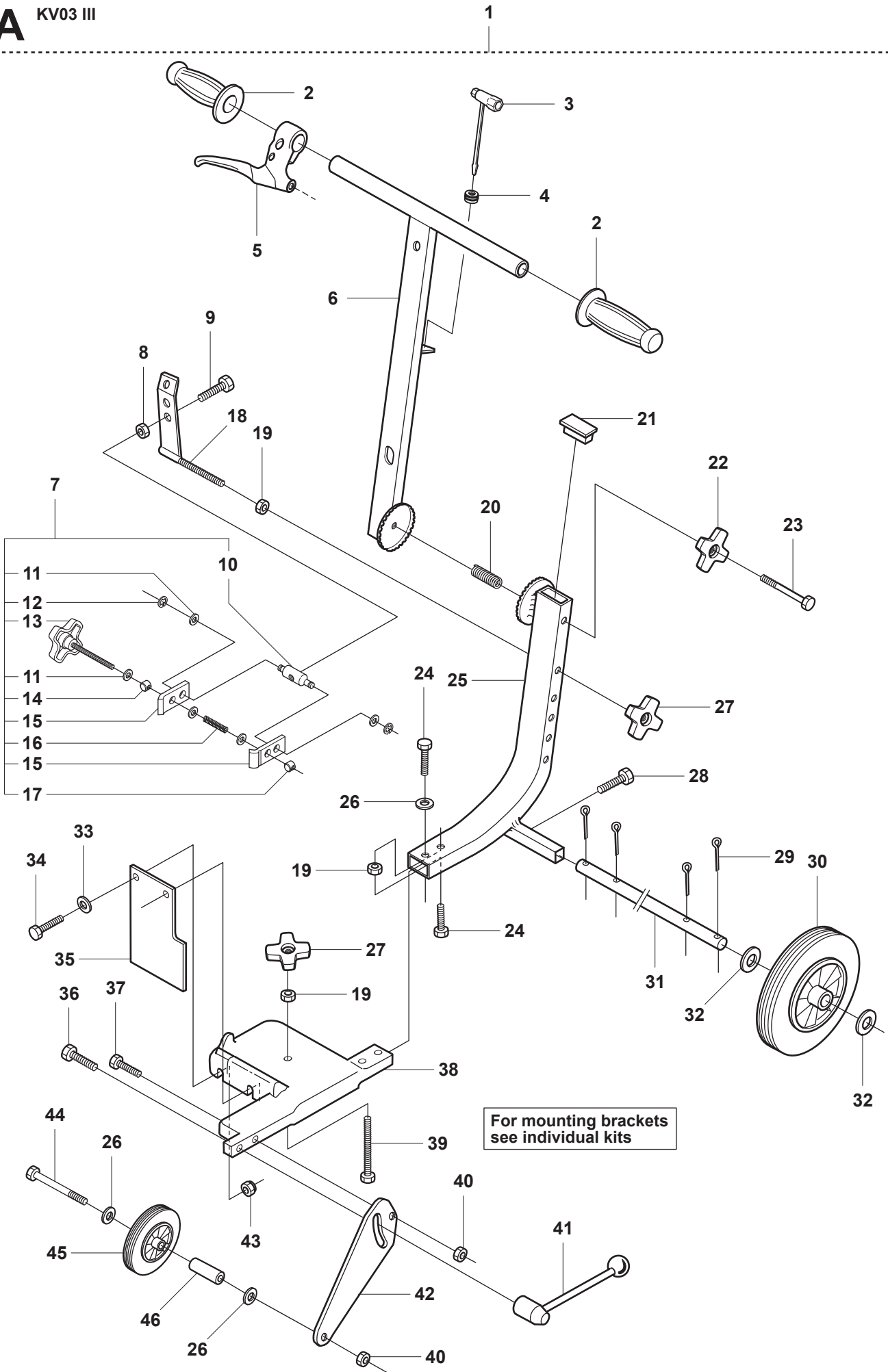


KV03 III Spare parts

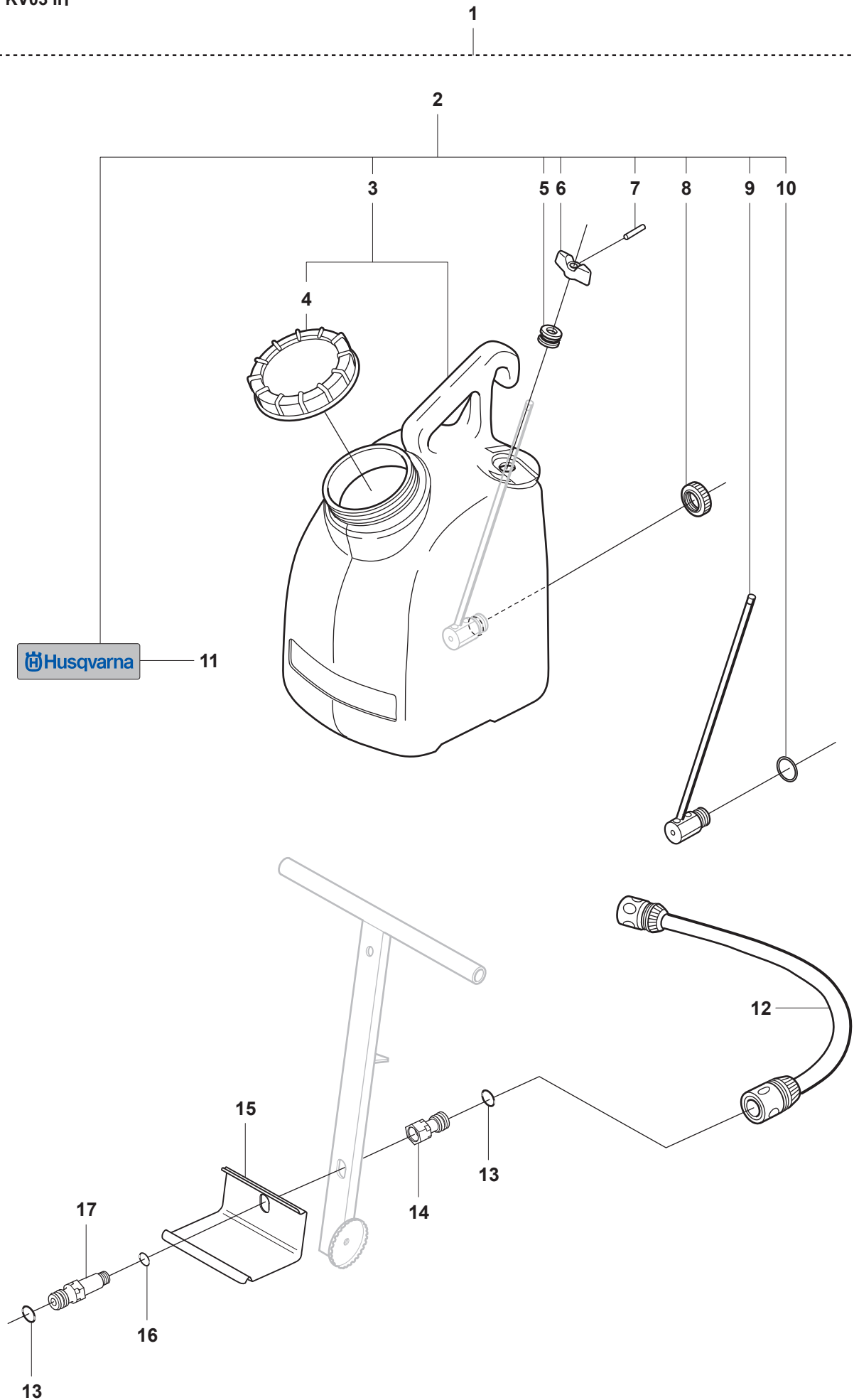


Page A
KV03 III

Pos.	Part No.	Description	Quantity	Notes
1	506 29 54-04	CUTTING TROLLEY	1	Incl. 2 - 46
2	506 22 21-01	HANDLE	2	
3	501 69 17-02	COMBINATION TOOL	1	
4	504 12 50-17	ANTIVIBE ELEMENT	1	
5	506 36 03-01	THROTTLE HANDLE	1	
6	506 35 99-01	HANDLE	1	
7	506 36 09-01	BRACKET	1	Incl. 10 - 17
8	731 23 20-51	MUTTER M10 FZ	1	
9	725 24 99-71	SCREW	1	
10	506 36 11-01	RETAINER	1	
11	734 11 52-01	WASHER	5	
12	735 31 09-20	WASHER	2	
13	506 36 14-01	STEERING WHEEL	1	
14	506 36 13-01	NUT	1	
15	506 36 10-01	HOOK	2	
16	506 36 15-01	COMPRESSION SPRING	1	
17	506 36 12-01	NUT	1	
18	506 30 51-02	BRACKET	1	
19	731 23 18-01	NUT	3	
20	506 36 00-01	COMPRESSION SPRING	1	
21	506 31 39-01	PLUG	1	
22	506 36 01-01	STEERING WHEEL	1	
23	725 24 75-51	SCREW	1	
24	725 24 55-71	SCREW	2	
25	506 35 98-01	FRAME TUBE	1	
26	734 11 65-41	WASHER	1	
27	506 31 95-01	STEERING WHEEL	2	
28	725 24 51-51	SCREW	1	
29	721 61 98-01	LOOP	4	
30	506 20 07-03	WHEEL	2	
31	506 20 52-01	SHAFT	1	
32	531 03 10-12	WASHER	2	
33	734 18 09-51	WASHER	2	
34	725 23 29-51	SCREW	2	
35	506 30 96-01	SPRAY GUARD	1	
36	725 25 40-71	SCREW	1	
37	725 24 59-51	SCREW	1	
38	506 36 02-01	WEIGHT	1	
39	725 24 65-71	SCREW	1	
40	732 21 18-01	LOCK NUT	2	
41	506 13 97-01	HANDLE	1	
42	506 30 47-01	LEVER	1	
43	503 22 65-04	NUT	2	
44	725 24 65-51	SCREW	1	
45	506 20 07-04	WHEEL	1	
46	506 13 66-02	SPACING SLEEVE	1	

B

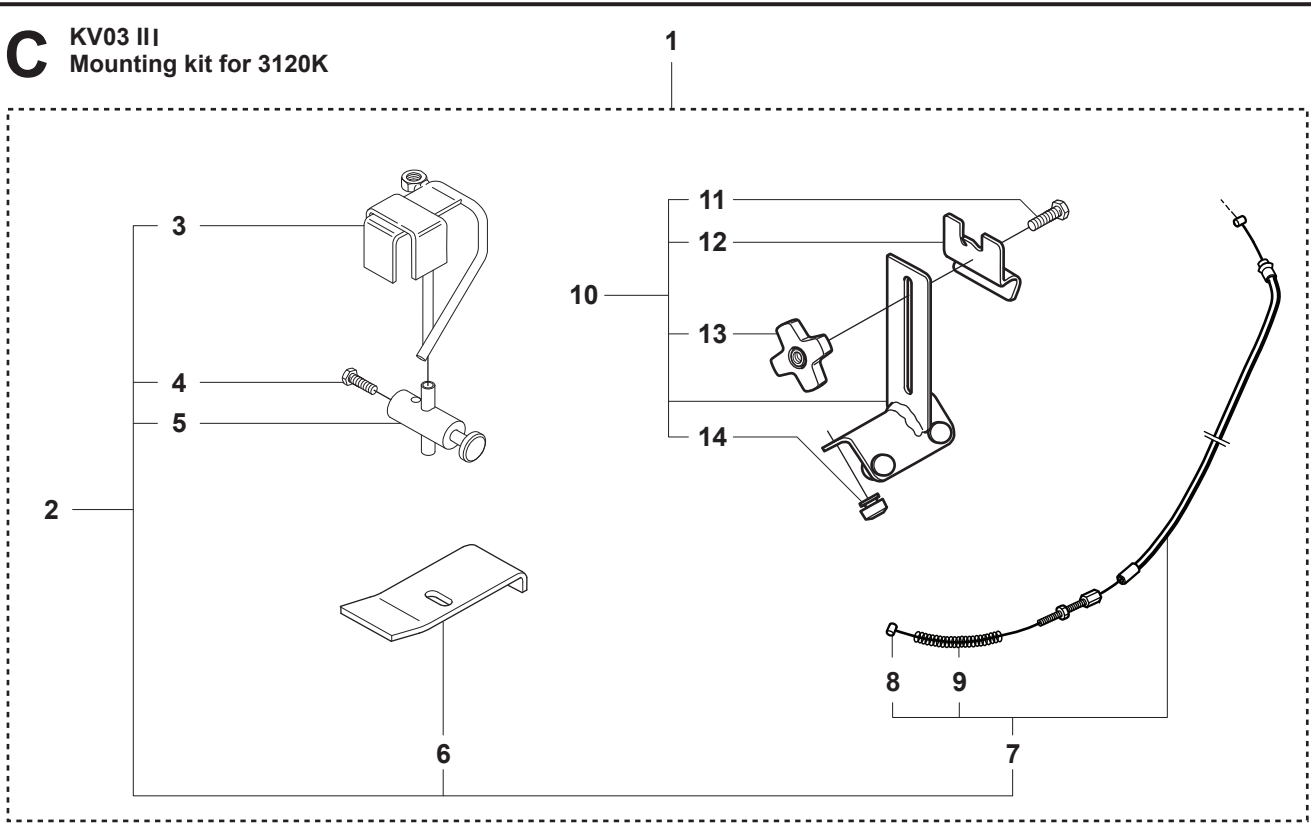
KV03 III



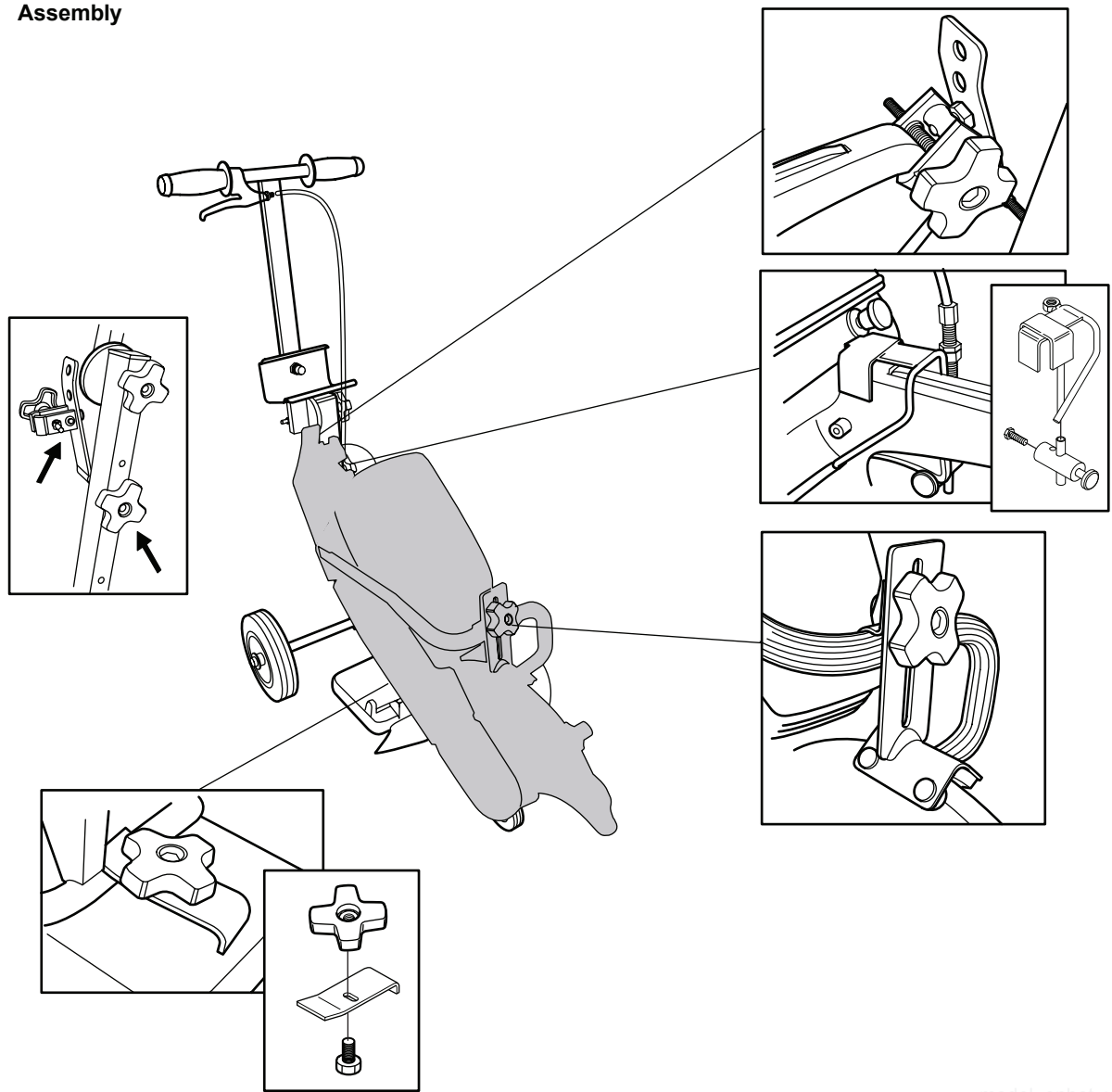
Page B
KV03 III

Pos.	Part No.	Description	Quantity	Notes
1	504 14 30-01	WATER TANK CPL.	1	Incl. 2 - 17
2	506 29 55-12	WATER TANK	1	Incl. 3 - 11
3	506 30 84-01	WATER TANK	1	Incl. 4
4	506 30 85-01	CAP	1	
5	504 12 50-17	ANTIVIBE ELEMENT	1	
6	506 30 94-01	KNOB	1	
7	720 12 71-52	PIN	1	
8	506 30 92-01	NUT	1	
9	506 31 41-01	VALVE	1	
10	740 48 12-04	O-RING	1	
11	506 30 20-02	LABEL	1	
12	506 31 42-01	HOSE	1	
13	740 48 03-03	O-RING	1	
14	506 30 87-01	COUPLER	1	
15	506 30 86-01	BRACKET	1	
16	740 42 09-00	O-RING	1	
17	506 30 88-01	COUPLER	1	

C KV03 III
Mounting kit for 3120K

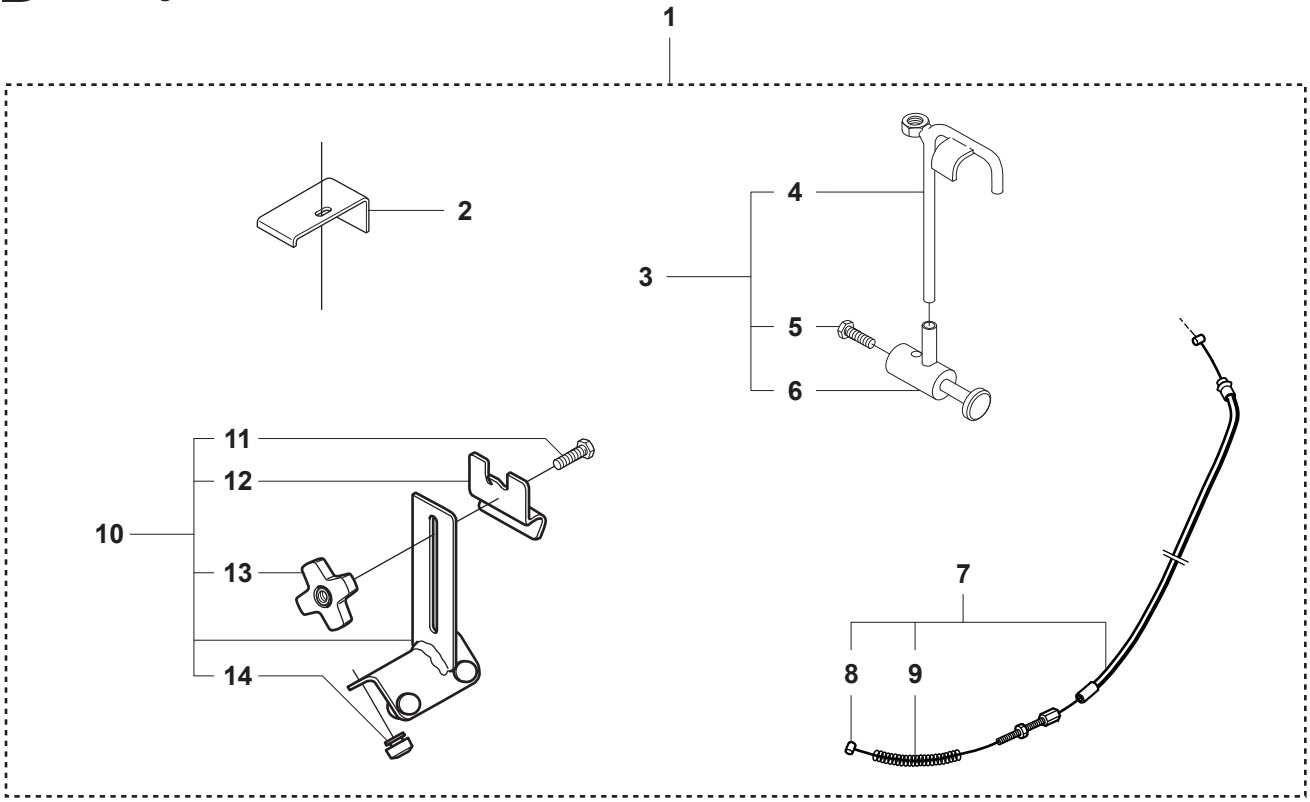
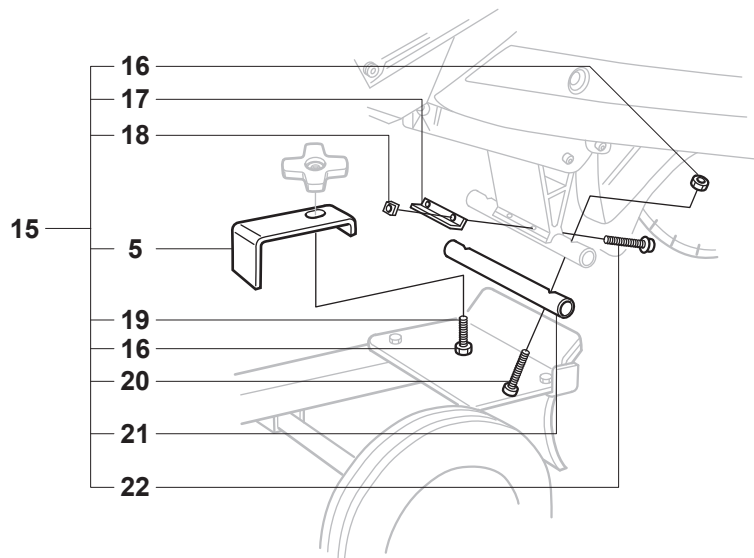


**3120K Active
Assembly**



Page C
KV03 III

Pos.	Part No.	Description	Quantity	Notes
1	504 11 17-05	ASSEMBLY KIT	1	3120K. Incl. 2, 10
2	506 36 58-01	KIT	1	Incl. 3 - 7
3	506 36 04-01	CLAMP	1	
4	725 23 29-51	SCREW	1	
5	506 36 05-01	LEVER	1	
6	506 30 76-01	PRESSURE PLATE	1	
7	506 36 16-01	THROTTLE WIRE	1	Incl. 8, 9
8	506 10 88-01	CABLE RETAINER	1	
9	506 20 55-02	COMPRESSION SPRING	1	
10	506 31 05-01	RETAINER	1	3120K. Incl. 11 - 14
11	725 24 51-51	SCREW	1	
12	506 30 70-01	CLAMP	1	
13	506 31 95-01	STEERING WHEEL	1	
14	503 47 16-01	BUFFER	4	

D**KV03 III
Mounting kit for 371K / 375K****Adapter Kit 371K / 375K**

Page D
KV03 III

Pos.	Part No.	Description	Quantity	Notes
1	504 11 17-06	ASSEMBLY KIT	1	Incl. 2, 3, 7, 10
2	506 30 83-01	PRESSURE PLATE	1	
3	506 36 20-01	THROTTLE	1	Incl. 4, 5, 6
4	506 36 22-01	CLAMP	1	
5	725 23 29-51	SCREW	1	
6	506 36 23-01	LEVER	1	
7	506 36 16-01	THROTTLE WIRE	1	Incl. 8, 9
8	506 10 88-01	CABLE RETAINER	1	
9	506 20 55-02	COMPRESSION SPRING	1	
10	506 31 05-01	RETAINER	1	Incl. 11, 12, 13, 14
11	725 24 51-51	SCREW	1	
12	506 30 70-01	CLAMP	1	
13	506 31 95-01	STEERING WHEEL	1	
14	503 47 16-01	BUFFER	4	
15	506 36 24-01	BRACKET	1	Incl. 5, 16 - 22
16	731 23 18-01	NUT	2	
17	506 30 81-01	BRACKET	1	
18	732 21 14-01	LOCK NUT	2	
19	725 24 69-51	SCREW	1	
20	725 24 63-51	SCREW	2	
21	506 31 45-01	SPACER TUBE	2	
22	725 53 29-55	SCREW	2	